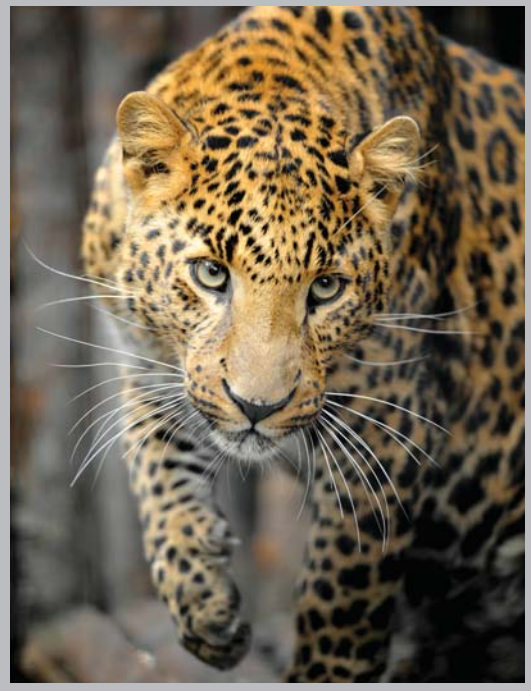
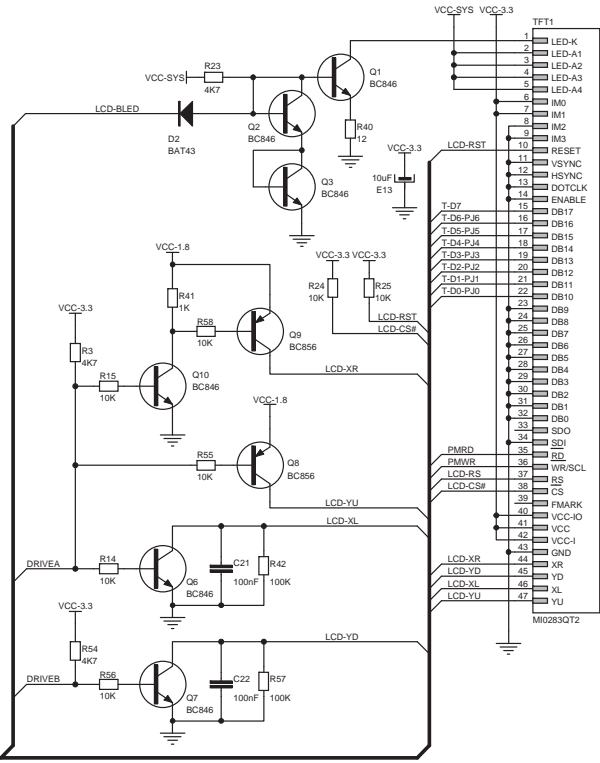


Schematic continues overleaf

DATA BUS



TFT 320x240 display with 262.144 colors

HW REW. 1.01

Copyright 2003-2011 by MikroElektronika. All rights reserved.

MikroElektronika assumes no responsibility or liability for any errors or inaccuracies that may appear in the present document. Specification and information contained in the present schematic are subject to change at any time without notice.

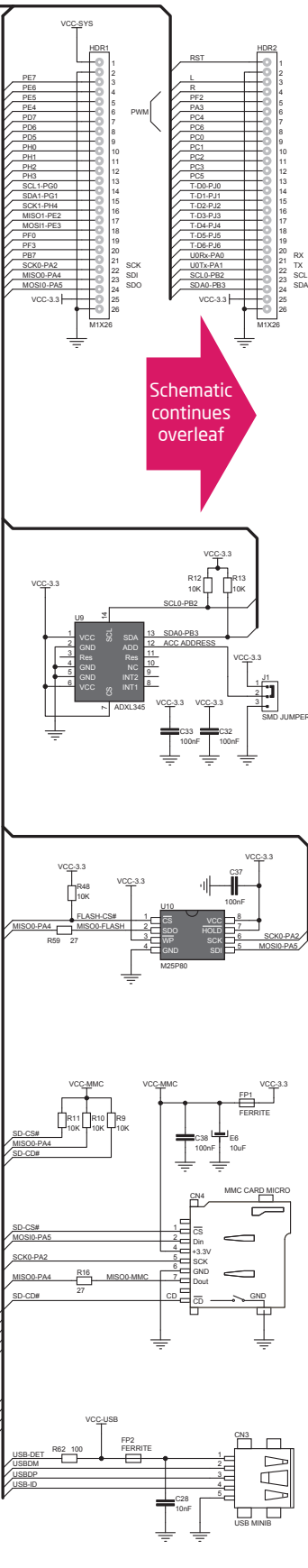
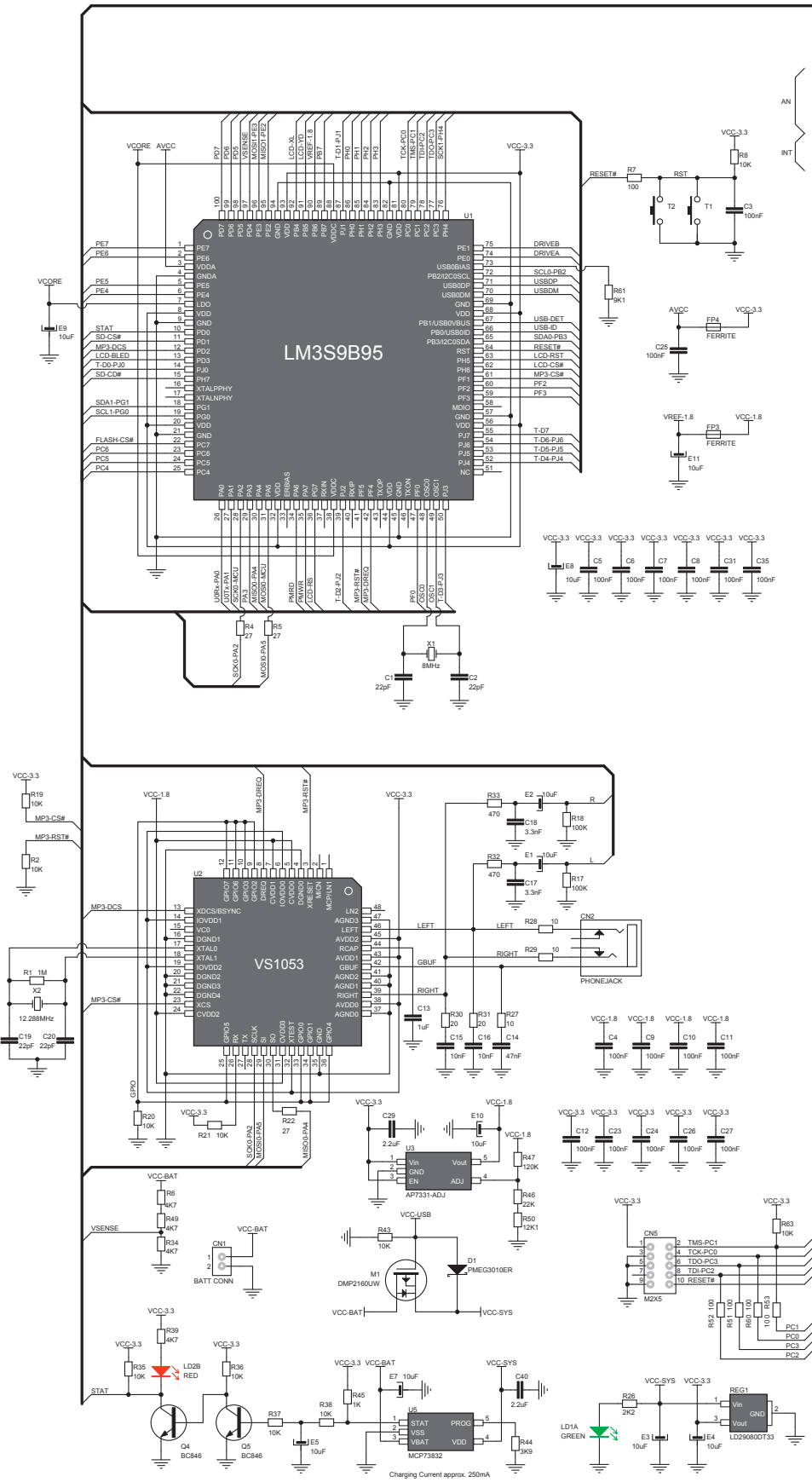
schematics

mikromedia

board for Stellaris® M3

Compact development system rich with on-board peripherals for all-round multimedia development on Stellaris® M3 device

If you are experiencing some problems with any of our products or if you just need additional information, please contact our technical support: www.mikroe.com/en/support. If you want to learn more about our product, please visit our website: www.mikroe.com.



Schematic continues overleaf

Charging Current approx. 200mA