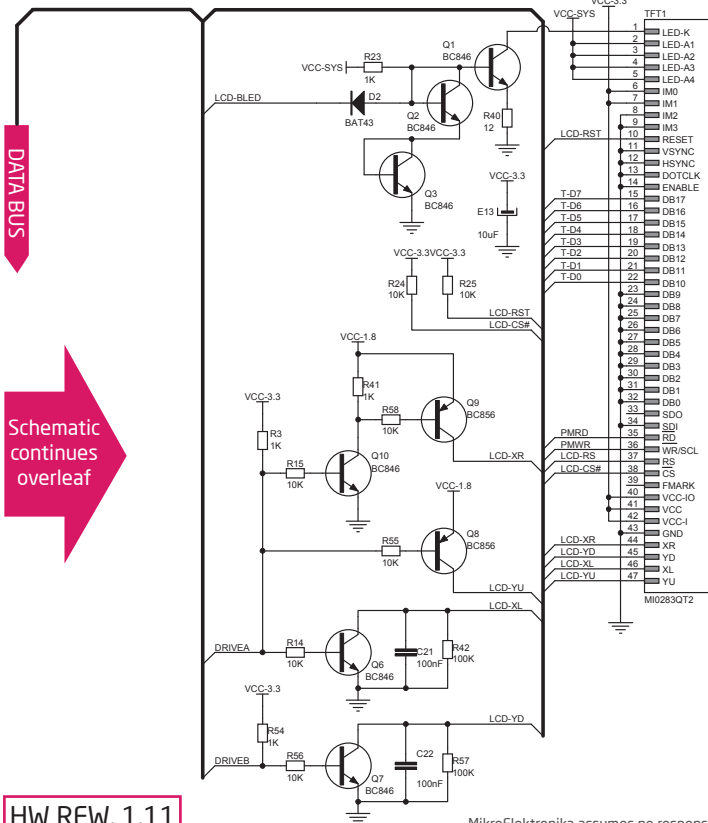


# mikromedia

## board for XMEGA

Compact development system rich with on-board peripherals for all-round multimedia development on ATXmega128A1



TFT 320x240 display with 262.144 colors

MikroElektronika assumes no responsibility or liability for any errors or inaccuracies that may appear in the present document.

Specification and information contained in the present schematic are subject to change at any time without notice.

HW REW. 1.11

