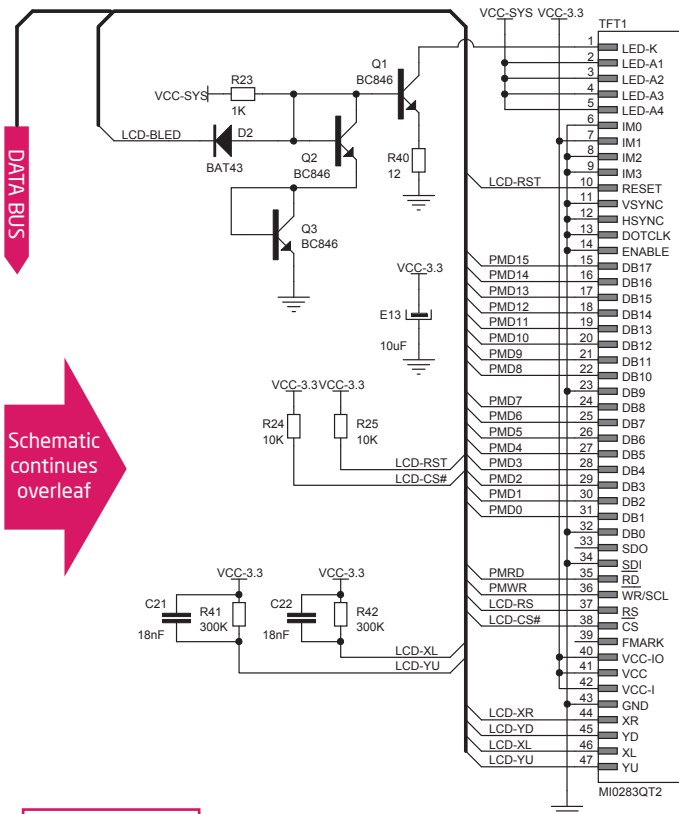


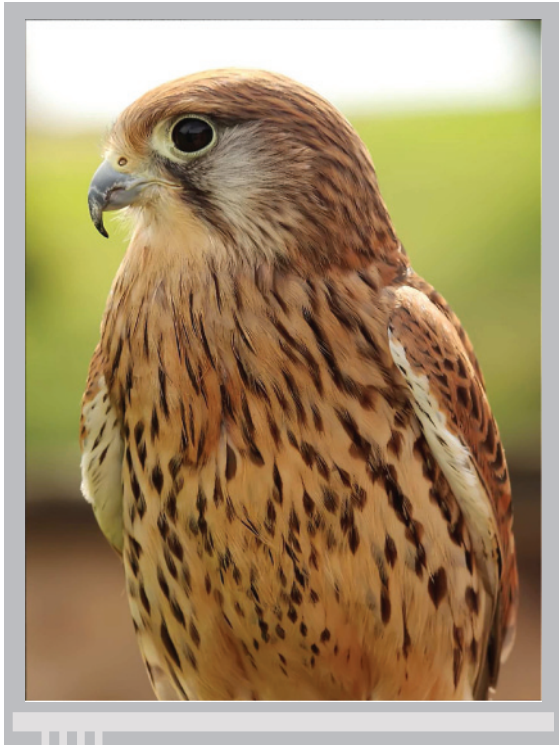
mikromedia

board for PIC32

Compact development system rich with on-board peripherals for all-round multimedia development on PIC32MX460F512L



Schematic continues overleaf



TFT 320x240 display with 262.144 colors

HW REW. 1.10

If you are experiencing some problems with any of our products or just need additional information, please contact our technical support: www.mikroe.com/en/support

