

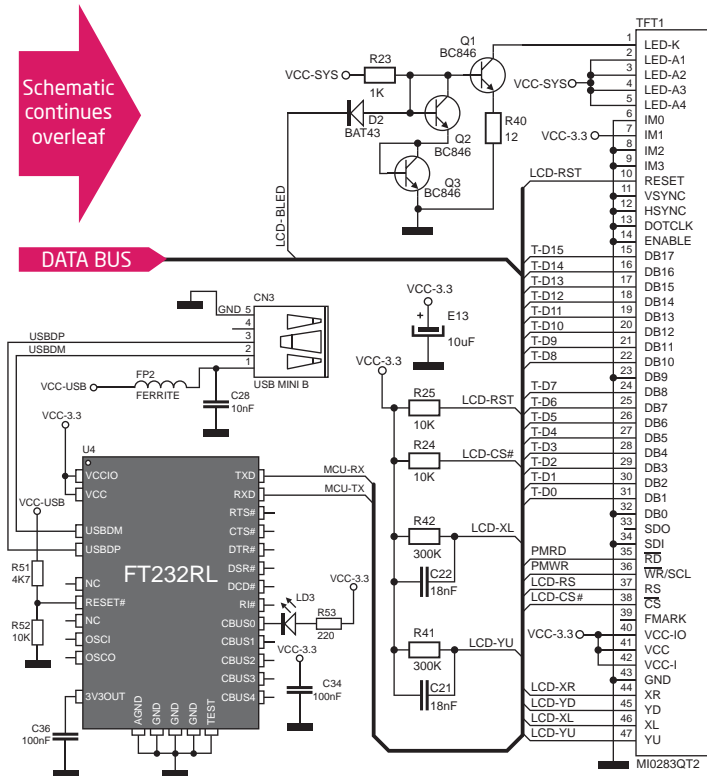
mikromedia

board for dsPIC33

Compact development system rich with on-board peripherals for all-round multimedia development on dsPIC33FJ256GP710A



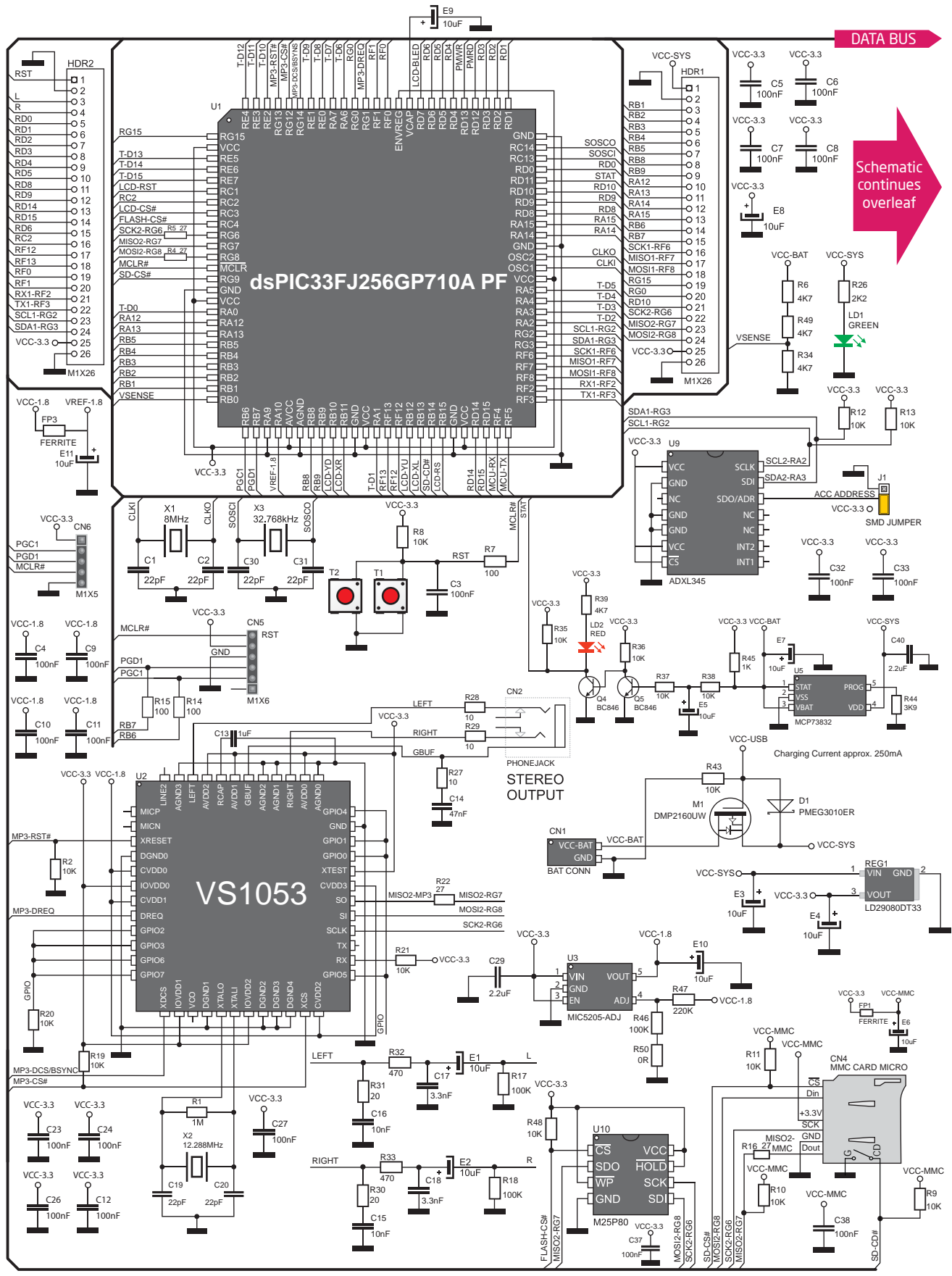
Schematic continues overleaf



TFT 320x240 display with 262.144 colors

HW REW. 1.10

If you are experiencing some problems with any of our products or just need additional information, please contact our technical support: www.mikroe.com/technical-support



DATA BUS

Schematic continues overleaf

dsPIC33FJ256GP710A PF

VS1053

STEREO OUTPUT

Charging Current approx. 250mA

BAT CONN

MMC CARD MICRO

M25P80

FLASH CS#

SD-CD#