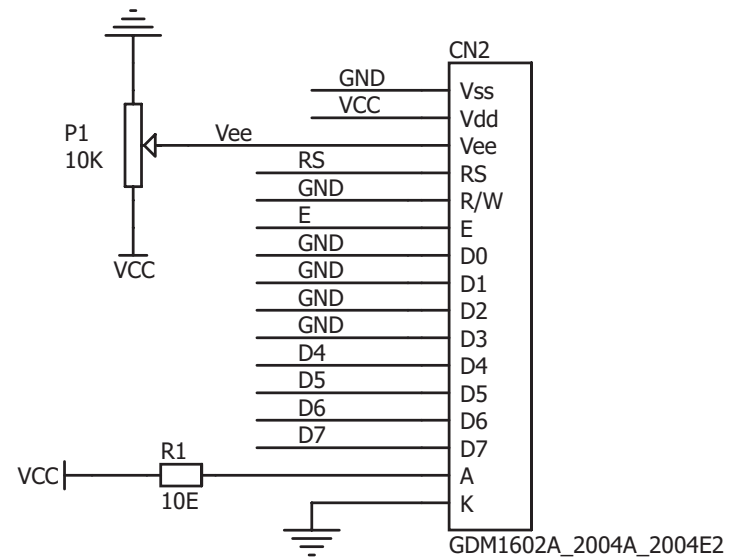
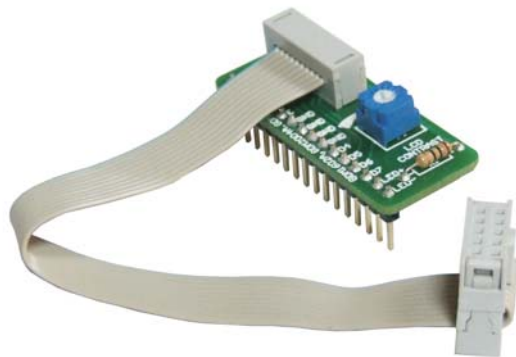


Note:

R1=10ohm is for GDM1602A and GDM2004A.

For GDM2004E2 you should use 50ohm resistor!



LCD Adapter: GDM1602A, 2004A and 2004E2.