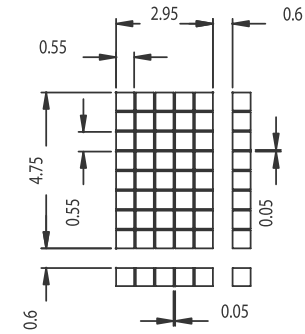


### DOTS DETAIL



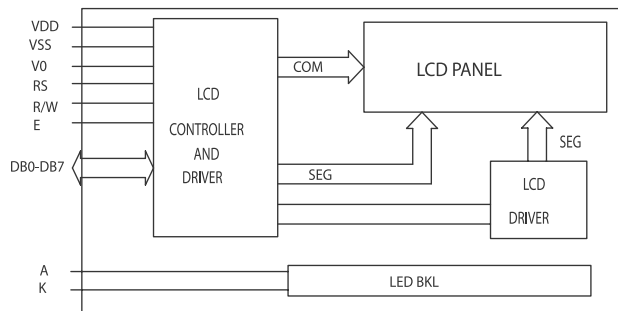
### Pin connections

PIN NO	Symbol
1	VSS
2	VDD
3	V0
4	RS
5	R/W
6	E
7	DB0
8	DB1
9	DB2
10	DB3
11	DB4
12	DB5
13	DB6
14	DB7
15	A
16	K

### Feature

- 4-line x20 characters display; 5x8 dots with cursor
- Built-in controller (KS0066U or Equivalent)
- +5V power supply(Also available for +3.3V)
- 1/16 duty cycle;1/5bias;
- TN, HTN, STN or FSTN mode
- BKL to be driven by pin1,pin2,or pin15,pin16,or A,K

### Block diagram:



### Display character address code

Display position	1	2	3	4	5	---	---	---	18	19	20
DDRAM address	00	01	02	---	---	---	---	---	11	12	13H
DDRAM address	40	41	42	---	---	---	---	---	51	52	53H
	14	15	16	---	---	---	---	---	25	26	27H
	54	55	56	---	---	---	---	---	65	66	67H

### Mechanical thickness

LCD module thickness	T1	T2	UNIT
Without or EL backlight	6.2	9.5	mm
With edge LED backlight	---	---	mm
With LED bottom backlight	9.3	13.5	mm

### Mechanical data

Item	Standard	Unit
Module dimension	98.0x60.0	mm
Viewing area	76.0x25.2	mm
Dot size	0.55x0.55	mm
Character size	2.95x4.75	mm

### Absolute Maximum Rating

Item	Symbol	Standard			Unit
		Min	Typ	Max	
Input voltage	VI	-0.3	-----	5.5	V
Power supply	VDD-VSS	-0.3	-----	VDD	

### Electronical characteristics

Item	Symbol	Condition	Standard			Unit
			Min	Typ	Max	
Input voltage	VDD	+5V	4.7	5.0	5.5	V
		+3.3V	2.7	3.3	5.3	
Supply current	IDD	VDD=5V	-----	2.5	3	mA
Recommended LCD driving voltage for normal temp version module	VDD-V0	-20°C	4.8	5.0	5.3	V
		0 °C	4.6	4.8	5.0	
		25°C	4.3	4.5	4.7	
		50°C	4.2	4.3	4.5	
70°C	4.1	4.2	4.3			
LED forward voltage	VF	25°C	-----	4.2	4.6	V
LED forward current	IF	25°C	-----	240	-----	mA
EL power supply current	IEL	VEL=110V AC 400Hz	-----	-----	-----	mA